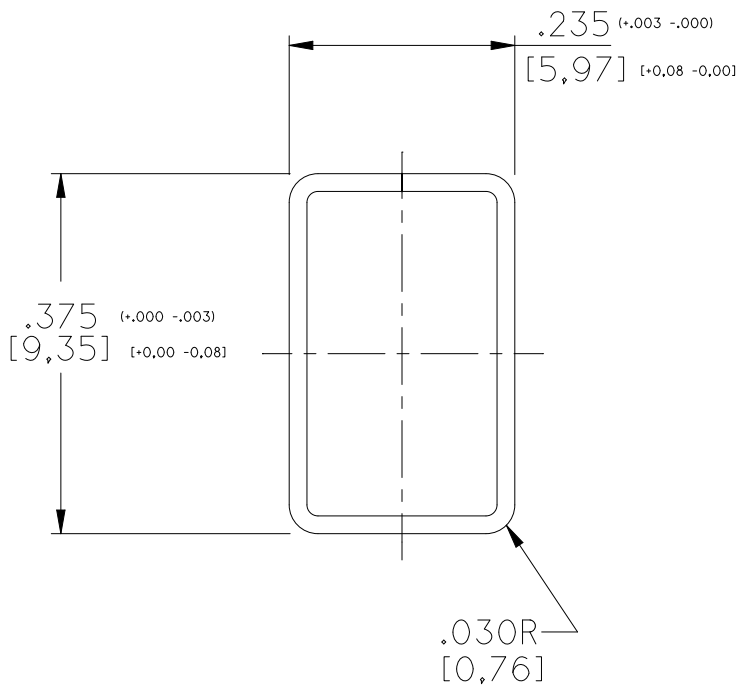


NOTE: ALL DIMENSIONS IN [] BRACKETS ARE MM UNLESS NOTED

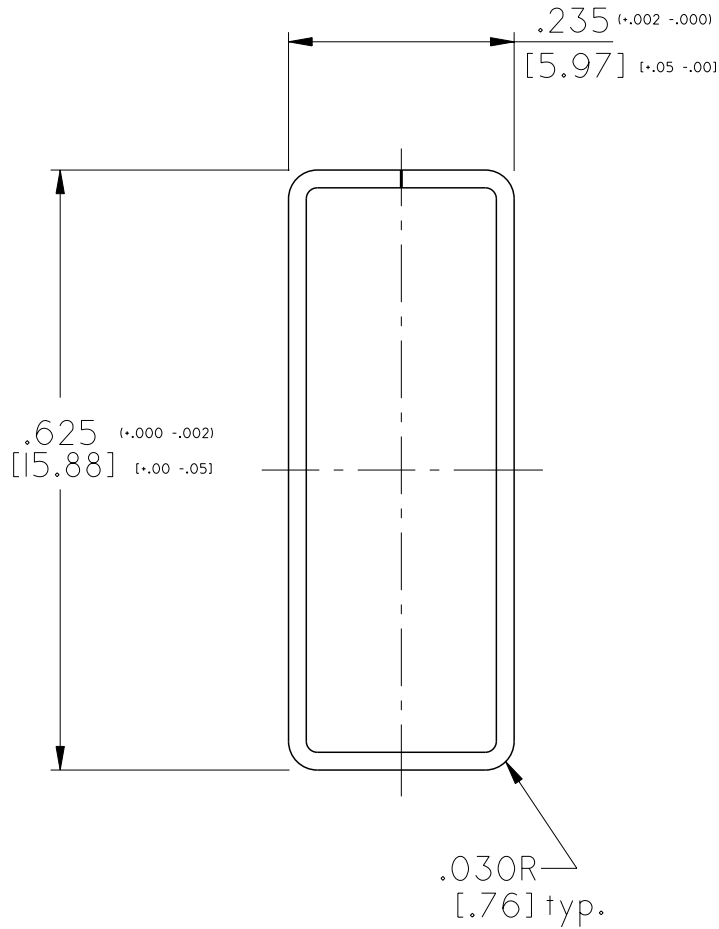


ACTUAL PART SIZE

FILENAME:.. \MB\0185\14X38

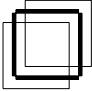
| | | | | | | | |
|----------------------------------------------------------------------------------------------------------------------------------------------|------|--------------------------------------------|--|--|---------------------------------------------------------------------------------------------------------------------------------------------------------------|------|-----|
| DATE | SYM. | REVISION | | | AUTH. | DRN. | CK. |
| | | ALLMETAL | | | INFORMATION SHOWN ON THIS PRINT IS PROPRIETARY. THIS DRAWING IS NOT TO BE REPRODUCED EITHER WHOLLY OR IN PART WITHOUT THE EXPRESS PERMISSION OF ALLMETAL INC. | | |
| TOLERANCES EXCEPT AS NOTED DECIMAL INCHES .XX .XXX .XXXX ± .01 .005 .0002 DECIMAL MM .XX .XXX ± .13 .06 ANGULAR ± 1° | | TITLE 1/4 x 3/8" MB (Muntin Bar) | | | DRN. BY <i>G. Matthews</i> CK. BY APPR. BY S.O. NO. | | |
| MATL. .0185 [0,47mm] 3105-H24 Aluminum | | FINISH ALL BUT ANODIZED | | | SCALE 5:1 | | |
| DATE 5/8/08 | | DWG. NO. 1020102018XX124 | | | | | |

NOTE: ALL DIMENSIONS IN [] BRACKETS ARE MM UNLESS NOTED

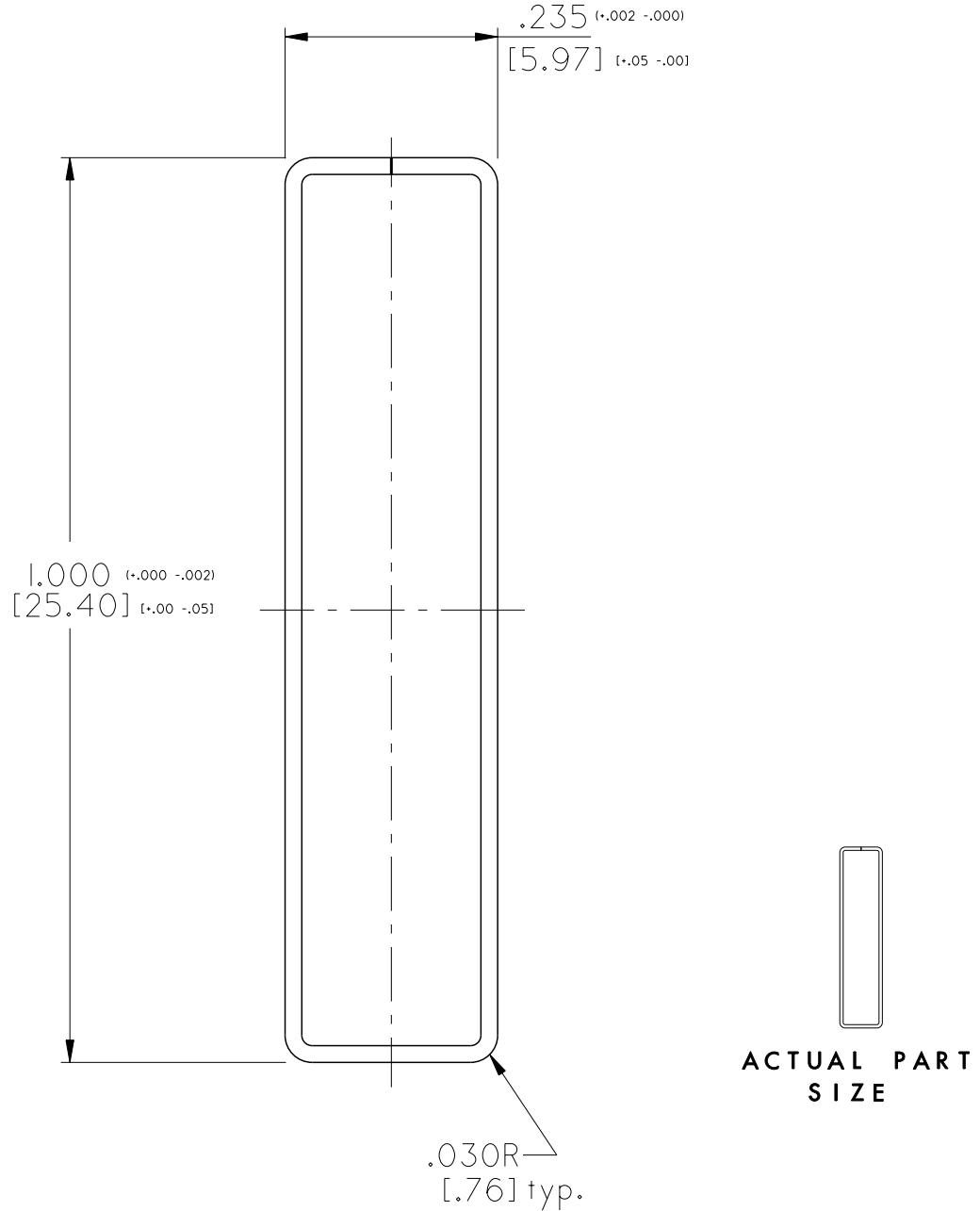


ACTUAL PART
SIZE

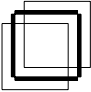
FILENAME:.. \MB\0185\14X58

| | | | | | | | |
|-----------------------------------------------------------------------------------------------------|------|-------------------------------------------------------------------------------------------------------------------------------------------------------------------------------|--|--------------------------------------|-------|------------------------------------|-----|
| DATE | SYM. | REVISION | | | AUTH. | DRN. | CK. |
|  ALLMETAL | | INFORMATION SHOWN ON THIS PRINT IS PROPRIETARY. THIS DRAWING IS NOT TO BE REPRODUCED EITHER WHOLLY OR IN PART WITHOUT THE EXPRESS PERMISSION OF ALLMETAL INC. | | | | | |
| TOLERANCES EXCEPT AS NOTED | | TITLE 1/4 x 5/8 MB (Muntin Bar) | | | | DRN. BY <i>G. Matthews</i> | |
| DECIMAL INCHES .XX .XXX .XXXX ± .01 .005 .0002 | | MATL. .0185 [.47mm] 3105-H24 Aluminum | | FINISH ALL BUT ANODIZED | | CK. BY APPR. BY S.O. NO. | |
| DECIMAL MM .XX .XXX ± .13 .06 | | SCALE 5:1 | | DATE 6/15/99 | | DWG. NO. 1020102018XX140 | |
| ANGULAR ± 1° | | | | | | | |

NOTE: ALL DIMENSIONS IN [] BRACKETS ARE MM UNLESS NOTED



FILENAME:.. \MB\0185\14X1

| | | | | | | | |
|-----------------------------------------------------------------------------------------------------|------|-------------------------------------------------------------------------------------------------------------------------------------------------------------------------------|--|------------------------------------------|----------------------------|----------|-----|
| DATE | SYM. | REVISION | | | AUTH. | DRN. | CK. |
|  ALLMETAL | | INFORMATION SHOWN ON THIS PRINT IS PROPRIETARY. THIS DRAWING IS NOT TO BE REPRODUCED EITHER WHOLLY OR IN PART WITHOUT THE EXPRESS PERMISSION OF ALLMETAL INC. | | | | | |
| TOLERANCES EXCEPT AS NOTED | | TITLE 1/4 x 1" MB (Muntin Bar) | | | DRN. BY <i>G. Matthews</i> | | |
| DECIMAL INCHES .XX .XXX .XXXX ± .01 .005 .0002 | | MATL. .0185 [.47mm] 3105-H24 Aluminum | | FINISH ALL BUT ANODIZED | | CK. BY | |
| DECIMAL MM .XX .XXX ± .13 .06 | | SCALE 5:1 | | DATE 6/15/99 | | APPR. BY | |
| ANGULAR ± 1° | | DWG. NO. 1020102018XX164 | | S.O. NO. | | | |